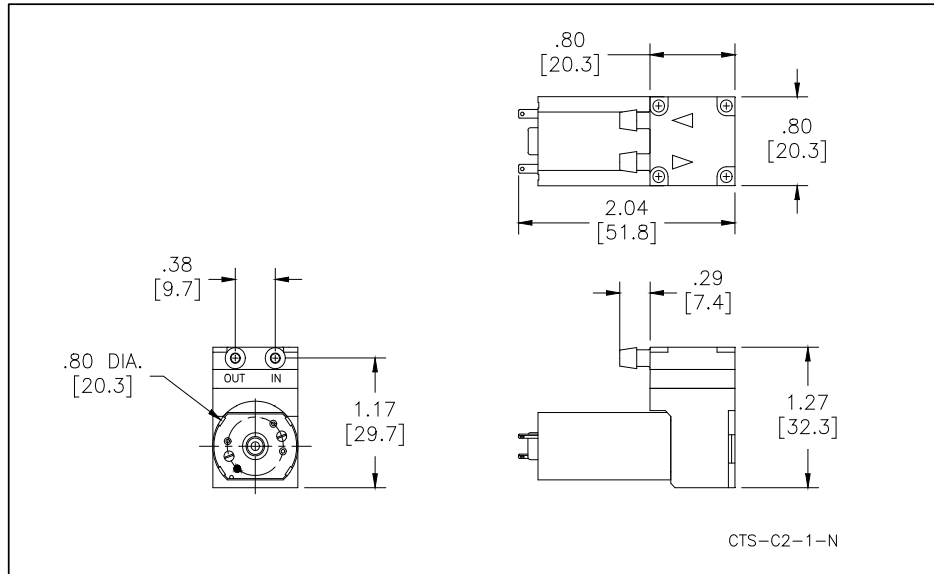




Mooresville, North Carolina 28117  
 T: 704-662-3500 F: 704-662-8744  
 www.hargravesfluidics.com

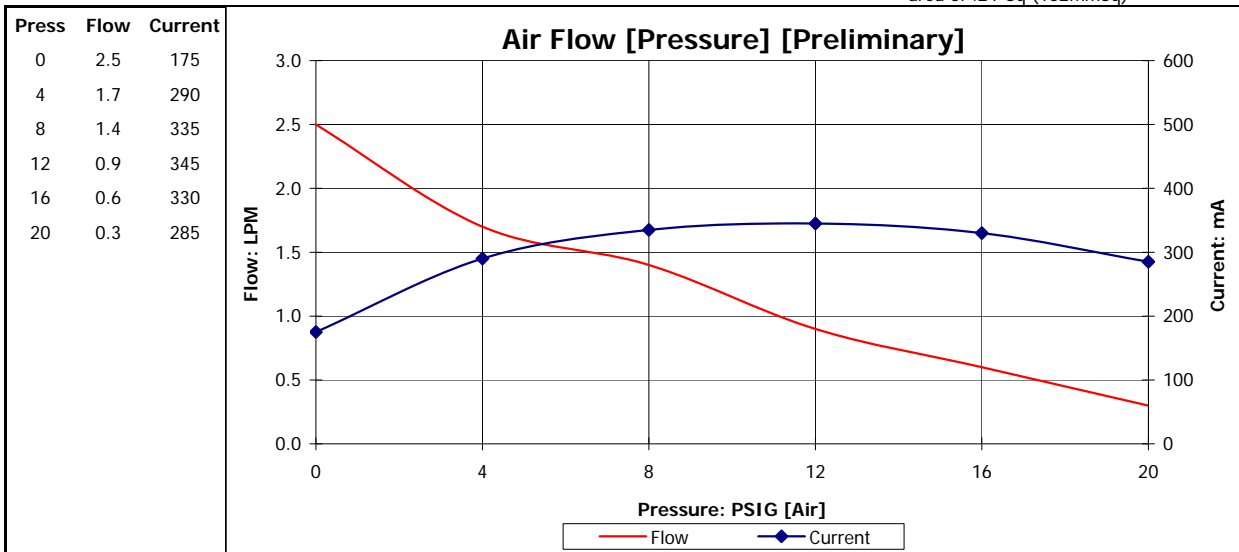
Part No.: **E107-13-090**  
 Model No.: **A.1C25N1.C09VDC**  
 Description: **CTS Diaphragm Pump,  
 Brush Motor**

**Dimensional Layout:**



**Specifications:**

- |                             |                  |                |                       |                     |  |
|-----------------------------|------------------|----------------|-----------------------|---------------------|--|
| <b>1. Wetted Materials:</b> | Pump Head:       | Polysulfone    | <b>3. Electrical:</b> | Motor:              | Brush Sleeve Bearing                     |
|                             | Retainer Washer: | Polysulfone    |                       | Operating Voltage:  | 9.0 VDC                                  |
|                             | Retainer Screw:  | 18-8 Stainless |                       | In-rush Current:    | 5 x Operating current<br>for up to 50 ms |
|                             | Valves:          | EPDM [65]      |                       | Recommended Fusing: | Slow Blow @ 2 x<br>Operating Current     |
|                             | Diaphragm:       | AEPDM [C80]    |                       |                     |  |
- 
- |                        |                        |                   |                |                  |                    |           |
|------------------------|------------------------|-------------------|----------------|------------------|--------------------|-----------|
| <b>2. Performance:</b> |                        | <u>Continuous</u> | <u>Maximum</u> | <b>4. Other:</b> | Temperature Range: | 5 - 50° C |
|                        | - Pressure: PSIG [Air] | 12.0              | 23.5           |                  | Free Flow RPM:     | 7350      |
|                        |                        |                   |                | Eccentric:       | E535               |           |
- 
- 5. Operating Limitations:** Not configured for vacuum operation
- 6. Recommended Filtration:** 40 Micron media w/ a minimum surface area of .24" Sq (152mmSq)



The above graph denotes nominal performance at 800' above sea level, 24°C, and at the specified voltage.

**PR**